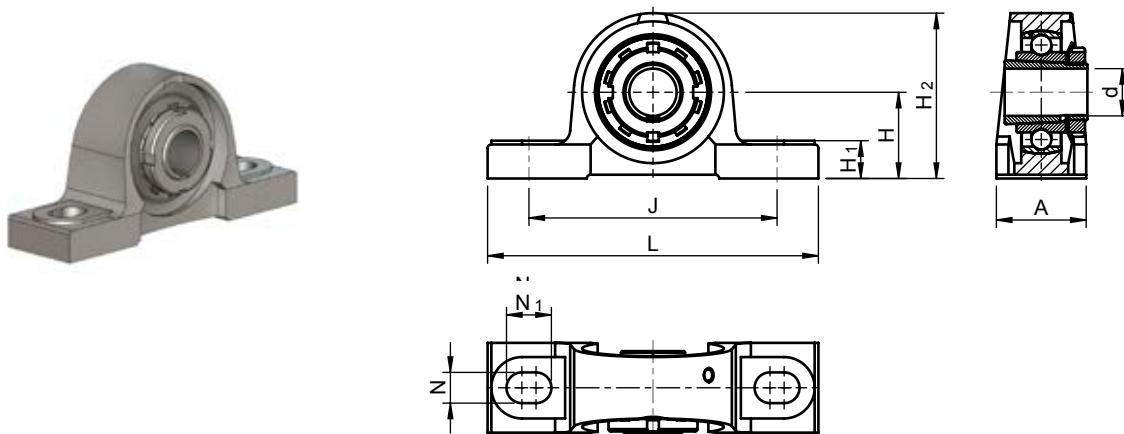




Drive Technology

Pillow block bearing UKP

The standard range for case bearing with clamping bushing. Cast iron case with coated surface protected against corrosion. The bearing inserts made from roller bearing steel with forged rings which is positive for the life-time.



Technical Data												
Size	Pillow block bearing UKP	Joint shaft VWK	Intermediate shaft pin WZK	Dimensions [mm]								
				d	L	A	H	H ₁	H ₂	J	N	N ₁
MULI 0	UKP205	ZR3-AGS19	WZK-20/92-OP ^{1) 2) 3)}	20	140	38	36,5	16	70	105	13	19
MULI 1												
MULI 2												
MULI 3												
MULI 2		ZR3-AGS24										
MULI 3												
MULI 4												
MULI 5												
MULI 4	UKP207	ZR3-AGS28	WZK-30/124-OP ^{1) 2) 3)}	30	167	48	47,6	19	94	127	17	21
MULI 5												
JUMBO 1												
JUMBO 2/3												
JUMBO 1		ZR3-AGS38										
JUMBO 2/3												
JUMBO 4												
JUMBO 5												
JUMBO 4	UKP211	ZR3-AGS42	WZK-50/150-OP ^{1) 2) 3)}	50	219	60	63,5	22	126	171	20	25
JUMBO 5												
-		ZR3-AGS48										

¹⁾ 01) OP = without key (standard), 1P = key on one side, 2P = key on both sides
²⁾ The above mentioned values for LW are standard valid for joint shafts type VWK. Depending on the application this value may be different.
³⁾ WZK-Ød/L_w-P

Intermediate shaft pin WZK

Standard version without key in combination with pillow block bearing UKP and joint shaft VWK. Different versions with one key or keys on both sides upon request.

Material: 1.2210.

